

SHOULDER

SMD3225 Crystal

ELECTRICAL SPECIFICATION

Frequency Range	12.0000 to 50.000 MHz
Load Capacitance	6pF to 32pF or series
Frequency Tolerance (at 25 °C)	+/-10,+/-15,+/-20,+/-30,+/-50ppm or specify
Oscillation Mode	Fundamental
Frequency Stability in Temperature	+/-10,+/-15,+/-20,+/-30,+/-50ppm or specify
Operating Temperature Range	-20 °C to +70 °C Standard (or Optional)
Storage Temperature Range	-40 °C to +85 °C
Equivalent Series Resistance (ESR)	See ESR Table
Drive Level	10µW Typical, 100µW Max.
Shunt Capacitance	3pF Maximum
Aging (at 25 °C)	±3ppM per year
Insulation Resistance	500 MOhm Minimum

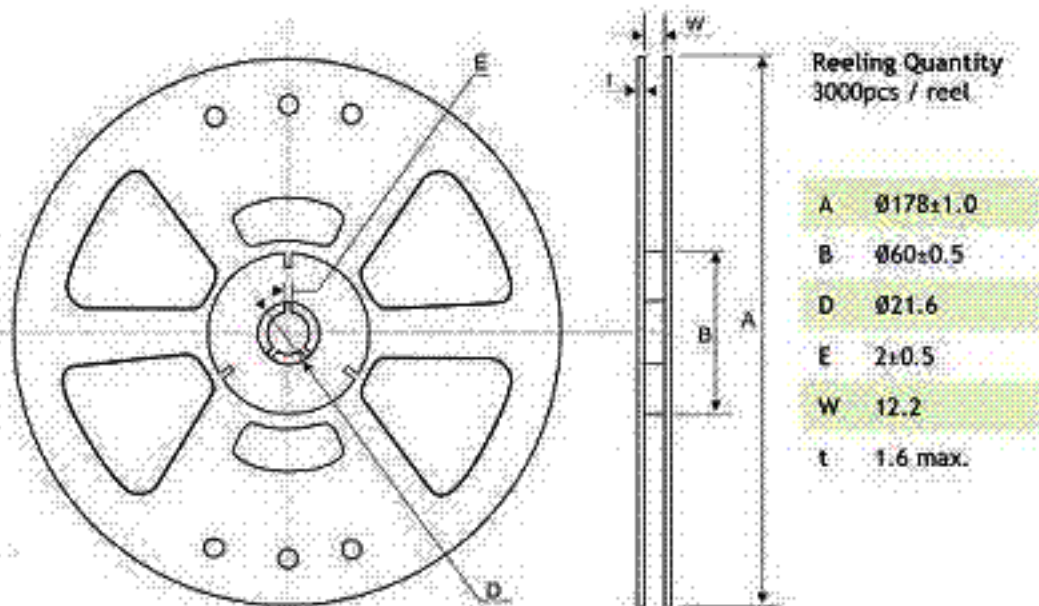
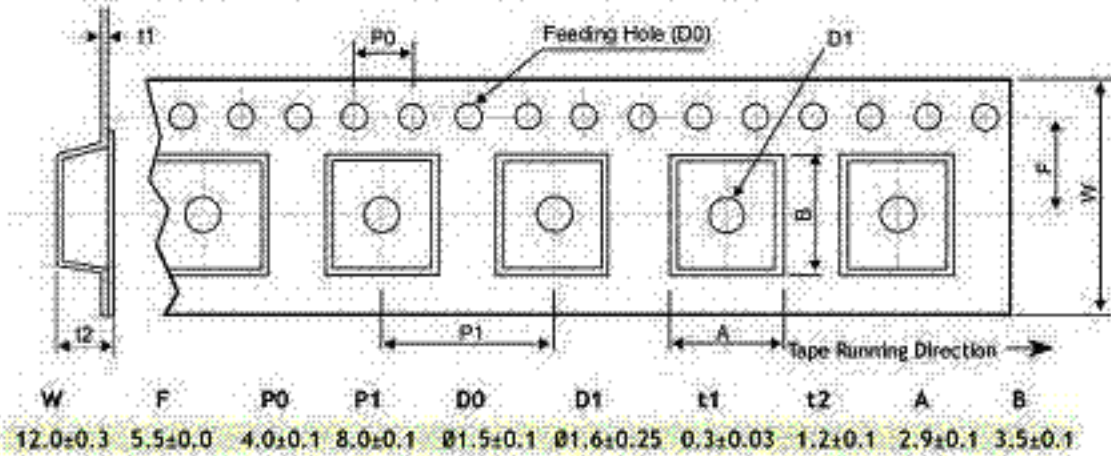
FREQUENCY RANGE AND OSCILLATION MODE

Fundamental (F)	12.0000 to 50.000MHz
-----------------	----------------------

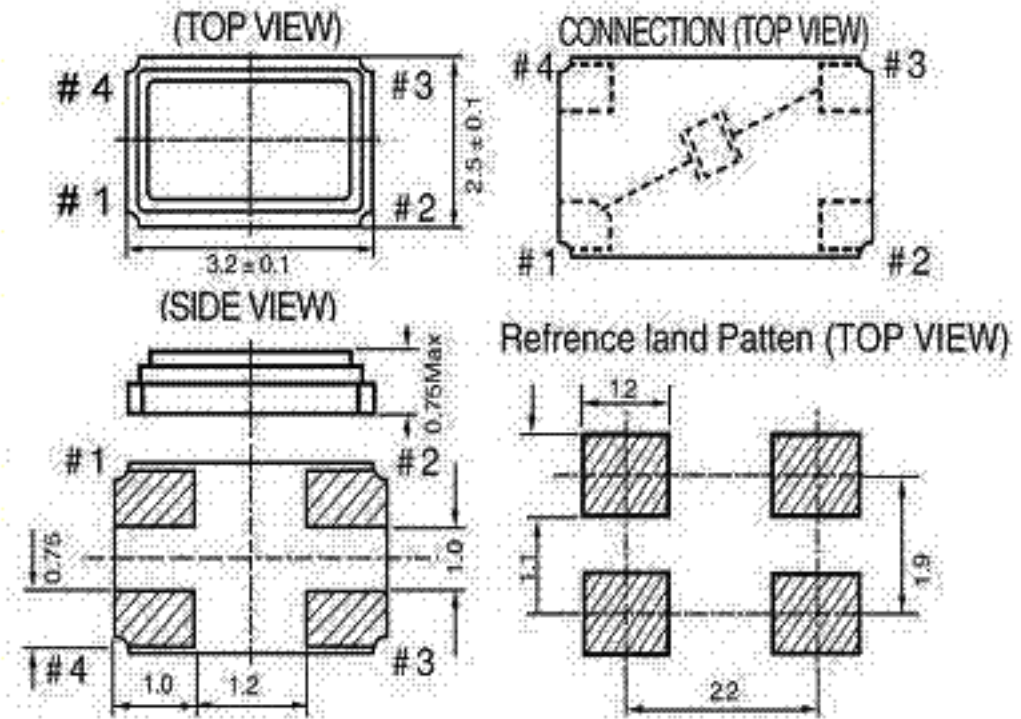
ESR TABLE (Ohms)

12.000 to 16.000MHz	100Max
16.000 to 20.000MHz	80Max
20.000 to 24.000MHz	60Max
24.000 to 50.000MHz	50Max

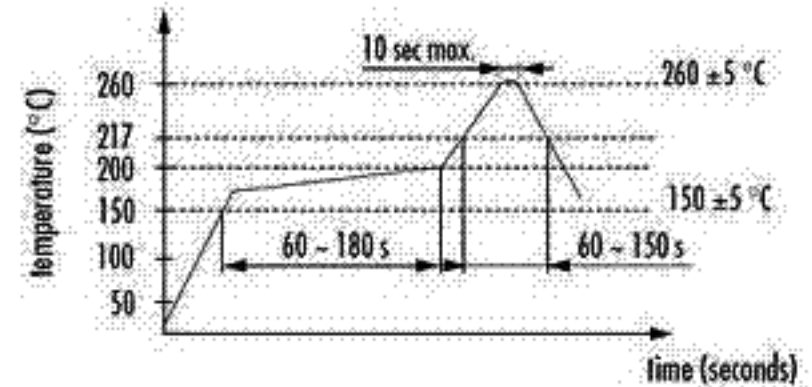
TAPE SPECIFICATIONS (all in mm) - Carrier Tape Dimensions



MECHANICAL DIMENSIONS (all in mm)



SOLDERING



Frequency Stability Over Operating Temperature Range					
Temperature Range	Frequency Stability (ppm)				
	±10ppm	±15ppm	±20ppm	±30ppm	±50ppm
0~+50°C	✓	✓	✓	✓	✓
-10~+60°C	✓	✓	✓	✓	✓
-20~+70°C	✓	✓	✓	✓	✓
-30~+80°C		✓	✓	✓	✓
-40~+85°C			✓	✓	✓

PART NUMBERING SYSTEM (Example)

SMD3225-14.7456-F-20-30-30-A-T

